

DD GROUP
INNOVATIVE PRODUCTS



DD PEDESTALS
we support!

**ADJUSTABLE
PEDESTALS**

MAX
45-950 MM

BALCONIES VERANDAS



DECKS PATIOS



TERRACES PUBLIC SQUARES





ROOFTOPS GREEN ROOFS

GARDEN TERRACES POOL PAVERS



ADJUSTABLE PEDESTALS
MAX SERIES
45-950 MM



ADJUSTABLE PEDESTALS / 45-950 MAX SERIES

Universal usage of terrace pedestals system.

Terraces supported on pedestals are possible to use on any kind of sub surface. This is universal solution for so far problematic and complicated construction technology. Universal support system for supporting and leveling tiles and decking joists and others type of external flooring. Roof patios or balconies when made with pedestals support system can be laid faster and easier in compare to traditional terrace solutions.

Universal application



For tiles



For decking

MAX pedestals has a wide application usage for any kind of raised terrace flooring (e.g. rectified cerami tiles, stones etc.) and joists for wood or composite decking.



ELEMENTS

Gap spacers

Gap spacers creates gap between tiles with 3 or 5 mm width.

Screw

Each pedestal model has different screw length.

Adjustment ring for height regulation

Adjustment ring allows to easily and smoothly regulate pedestal height.

Base

Wide pedestal base for better support. Basis has different heights depend on pedestal model.



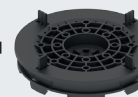
ADDITIONAL ACCESSORIES

Rubber shim



Noise reduction shim. Additionally possible to be divided in parts.

Self levelling head



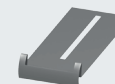
Self levelling head automatically reduce slope of the surface up to 7%.

Height Coupler



Height Coupler allows to raise pedestal height for 200 mm - 350-550 MM, 550-750 MM, 750-950 MM.

Edge spacer clip



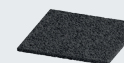
Up to wall clip. Makes gap between terrace and border wall.

Joist adapter



Joist adapter allows deckign joists connection with pedestals.

SBR Rubber pad



Rubber isolation rubber pads to place under the pedestal to protect membranes and for noise reduction.

ADJUSTABLE PEDESTALS MAX

Terrace pedestals with height range regulation 45-950 mm.

DD Adjustable Pedestal supports are designed for use with pavers and decking on flat roofs, balconies and terraces.

DD Pedestals are the solution if you want a beautiful paved terrace that is free draining, compatible with waterproofing membranes, easy to install and low cost.

More roof and balcony designs incorporate a completely flat upper surface in order to utilize them more effectively as leisure areas. Useful, practical areas can be created for leisure or services and maintenance, which would previously have been left as exposed waterproofing membrane. Not only does this help protect potentially vulnerable areas, but it increases the yield of the building footprint.



Name
MAX 45-70 MM



Name
MAX 70-150 MM

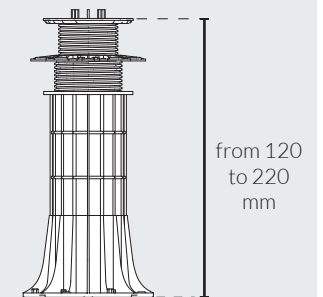
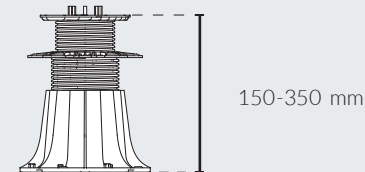
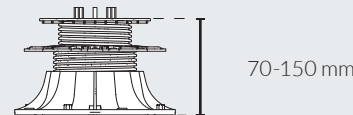
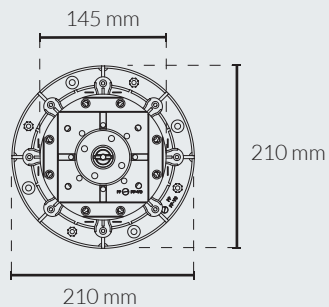


Name
MAX 150-350 MM



Name
MAX 350-550 MM
1 x MAX 150-350
1 x MAX DS 200 MM

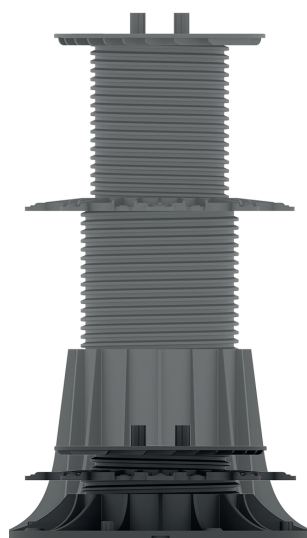
Dimension





Pedestals fixing

Pedestals can be firmly fixed to the ground with bolts.



Height regulation

Stepless height regulation with range from 45-950 mm.



Pedestal head

Pedestal head has a wide possibilities of final usage.



Expansion possibilities

Additional accessories allow for wider product properties and application.



| No. | Name | Symbol |
|-----|---|-------------|
| 1 | Adjustable height pedestal MAX 45-70 MM | MAX 045-070 |
| 2 | Adjustable height pedestal MAX 70-150 MM | MAX 070-150 |
| 3 | Adjustable height pedestal MAX 150-350 MM | MAX 150-350 |

ADJUSTABLE PEDESTALS MAX

MAX
pedestals with no
additional accessories



Height range:
from 45 to 350 mm

Total:
min. 45 mm
max. 350 mm

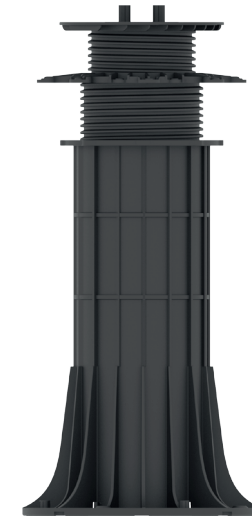
MAX
with self levelling head



Height range:
from 45 to 350 mm + 16
mm self levelling head

Total:
min. 61mm
max. 366mm

MAX
with height coupler DS



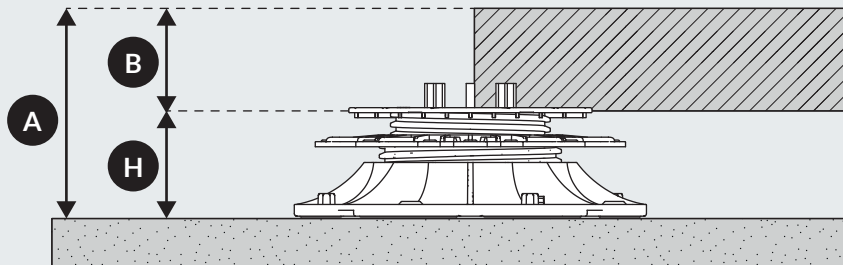
Height range:
from 350 mm + 200
mm height coupler

Total:
min. 350 mm
max. 950 mm

PEDESTAL HEIGHT CALCULATION

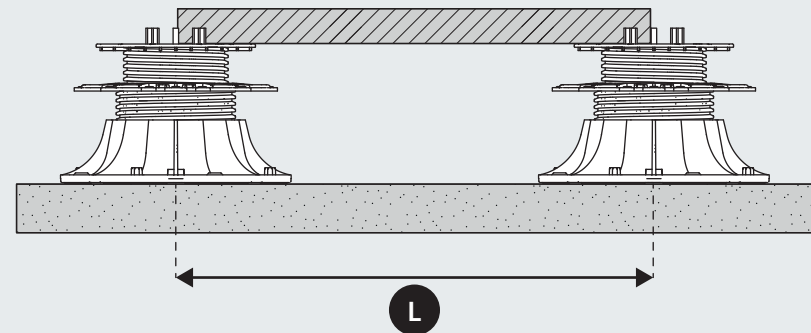
PEDESTAL HEIGHT CALCULATION, $A - B = H$

- A** - Desired terrace height
- B** - Surface thickness
- H** - Pedestal height



PEDESTALS QUANTITY REQUIREMENT

- Pedestals spread- quantity pcs/sqm
- 60x60 cm ~ 3-3,5 pcs.
 - 50x50 cm ~ 4,5-5 pcs.
 - 40x40 cm ~ 6,5-7 pcs.
 - 30x30 cm ~ 12-12,5 pcs.



MOVABLE GAP SPACERS

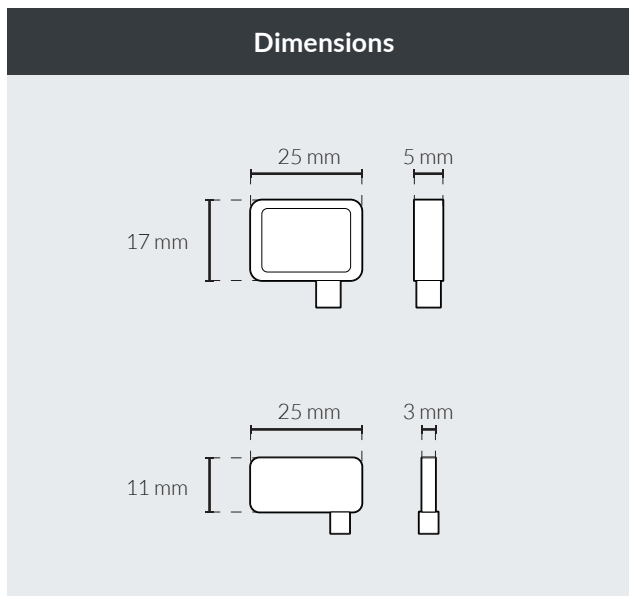


Gap spacer 3 mm



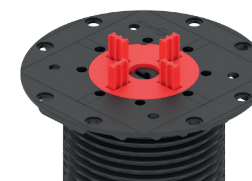
Gap spacer 5 mm

Gap spacers creates gap between tiles with 3 or 5 mm width.



UNIVERSAL PEDESTAL HEAD

MAX pedestal head has a wide variety of usage. Rotable disc spacers placed on head with 3 or 5 mm thickness, movable gap spacer with wide possibilities of layout and joist adapter for decking.



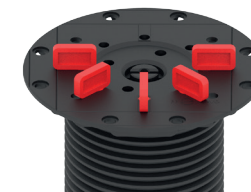
Rotable disc spacer with 3 or 5 mm thickness.



Movable gap spacer with 3 or 5 mm thickness.



Joist adapter for decking beams.



Wide layout possibility of gap spacer placement.

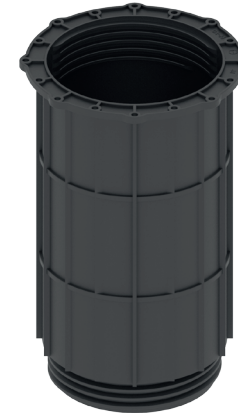


Example of pedestals placement

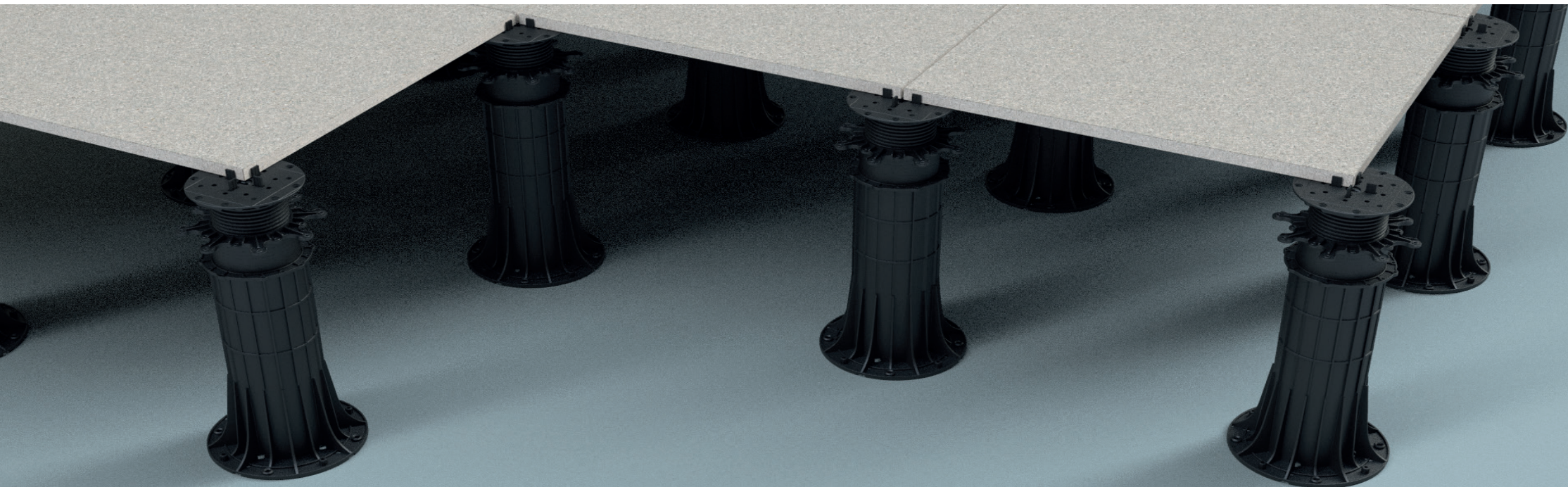
HEIGHT COUPLER

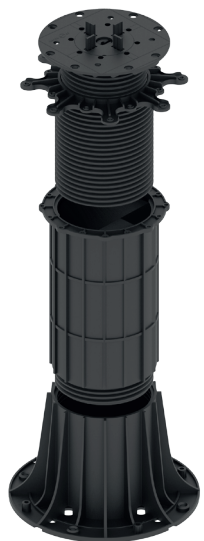
Height Coupler allows to raise pedestal height for each 200 mm.

Extension element to the MAX adjustable pedestals - height coupler. Whenever need to raise terrace more than standard height of adjustable pedestal couplers can be used. Putting one height coupler into adjustable pedestal base and then screw with ring into the coupler makes pedestal higher 200 mm. Fast and easy solution for expanding height range of the pedestals. Maximum recommended height of the pedestals is 950 mm (3 height couplers MAX DS 200 MM). Using brace system for additional stability support is needed when higher than 550 mm.



Name
MAX DS 200





Easy installation

Height coupler is screwed into the pedestal base.



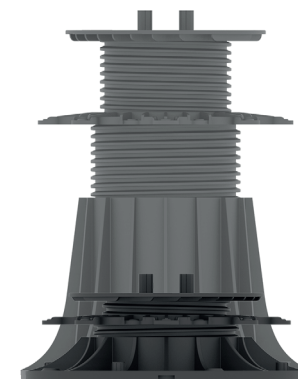
Construction

MAX pedestals height couplers are well designed and allows pedestals reach high load bearing.



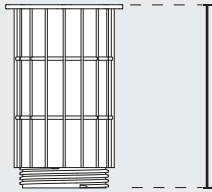
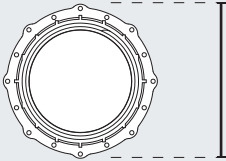
Height

Height extension up to 950 mm (3 x DS200).



Compatibility

Height coupler is compatible with all MAX PEDESTALS.

| Dimension | |
|---|--------|
|  | 200 mm |
|  | 85 mm |

| No. | Name | Symbol |
|-----|------|--------|
|-----|------|--------|



1 Height coupler MAX DS 200 mm

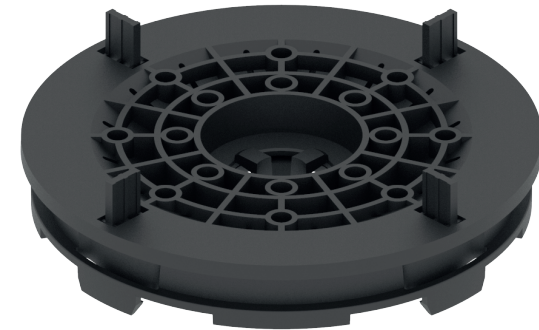
MAX DS 200 MM



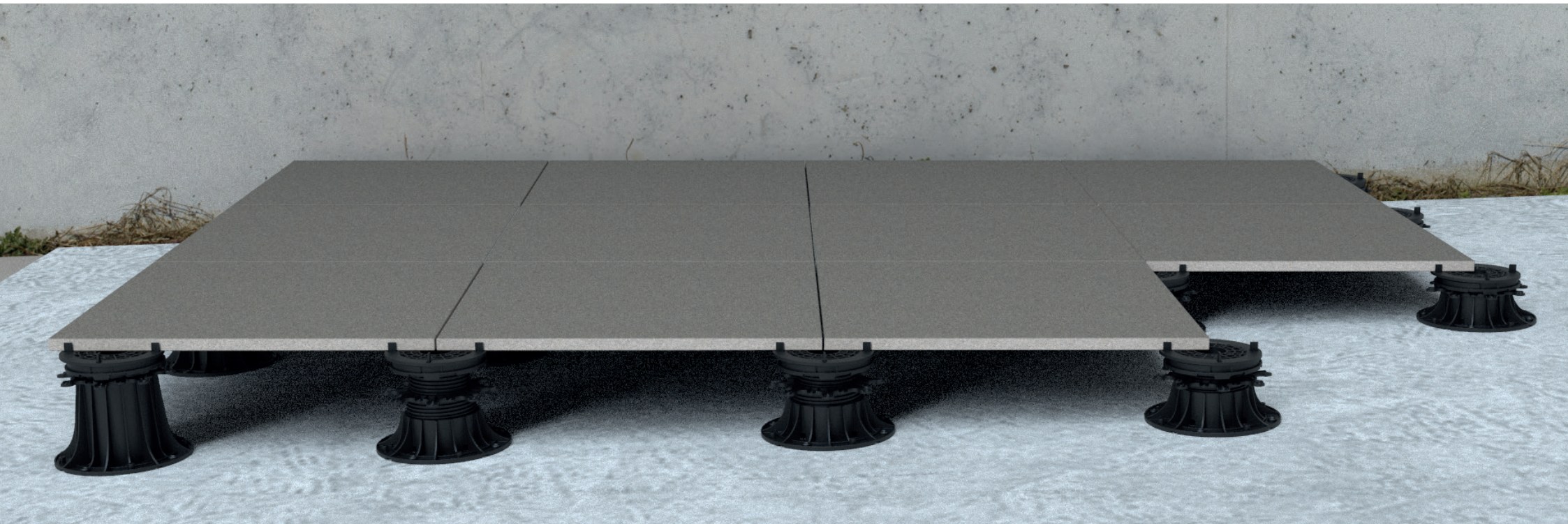
SELF LEVELLING HEAD

Self levelling head automatically reduce slope of the surface up to 7%.

The self levelling head of MAX PEDESTALS allows to automatically compensate any slope up to 7%. This is big advantage when terrace basis is slope and You need to achieve flat terrace. Self leveling height element is additional 20 mm to the pedestal height.



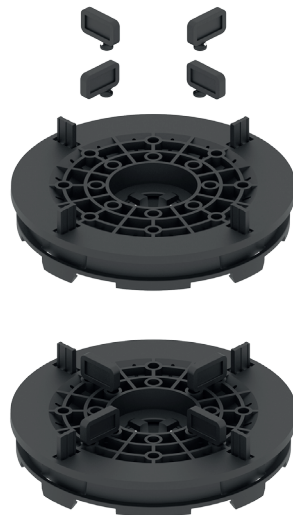
Name
MAX LE





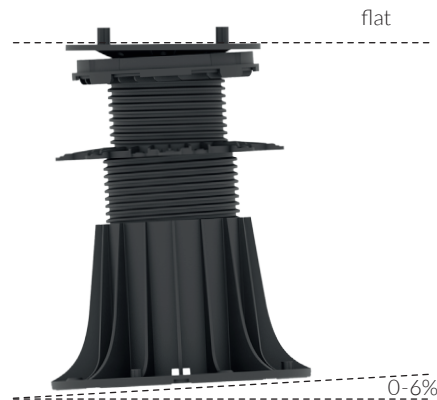
Easy installation

Connect self leveling head with pedestal top plate by latches.



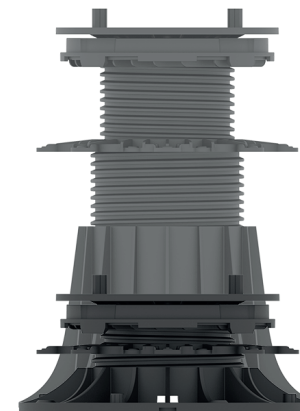
Gap spacers

Self leveling head has built in 3 mm gap spacers with possibility to mount 5 mm movable spacers.



Slope

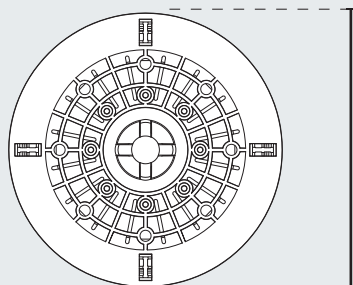
Self leveling head works up to 6% slope.



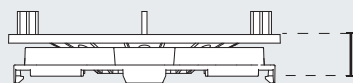
Compatibility

Compatible with all MAX pedestals.

Dimension



157 mm



20 mm

No.

Name

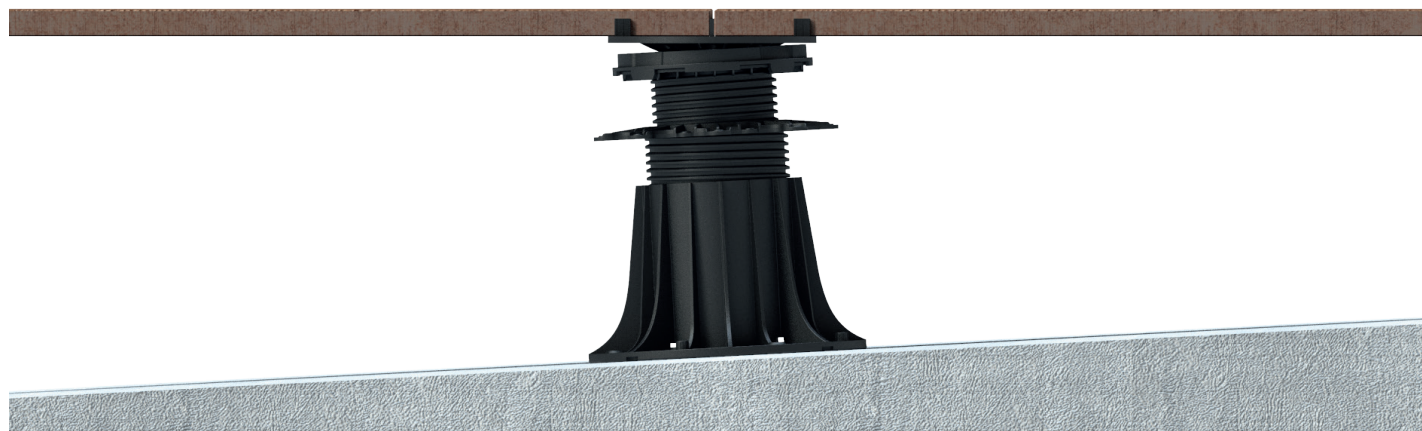
Symbol



1

MAX Self levelling Head 19 MM 0-6%

MAXLE



PEDESTAL BASE SLOPE CORRECTOR SC MAX

Nivelate slope of pedestal up to 5% gradient.

Ultimate solution for sloped terraces where gradient makes pedestals stay inclined. SC MAX contains to elements which rotate one another and allows to nivelate pedestals inclined position.



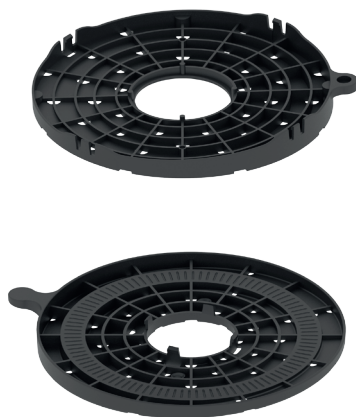
Name
MAX SC





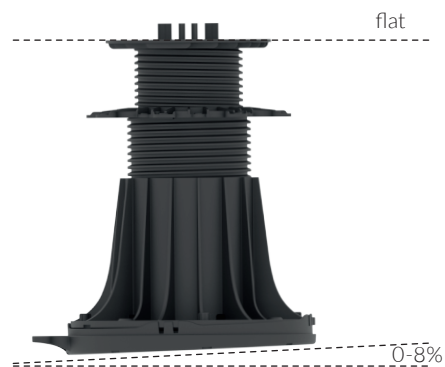
Easy installation

Connect self leveling head with pedestal top plate by latches.



Gap spacers

Openings for gap spacers 3 and 5 mm with wide possibility of it's arrangement.



Slope

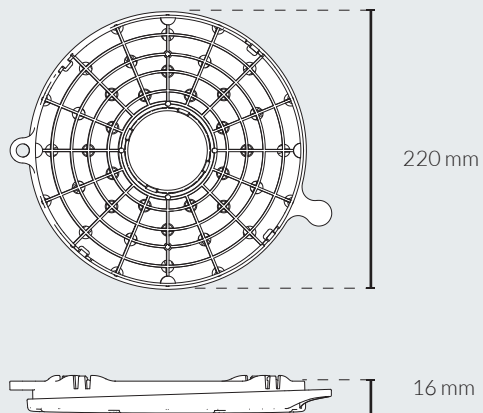
Self leveling head works up to 8% slope.



Compatibility

Compatible with all STANDARD pedestals.

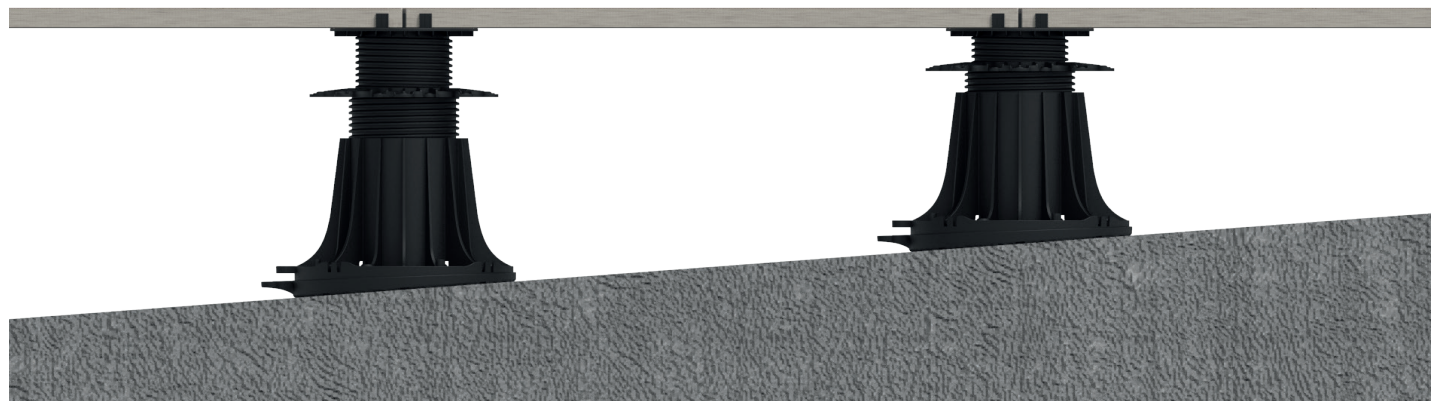
Dimension



| No. | Name | Symbol |
|-----|------|--------|
|-----|------|--------|



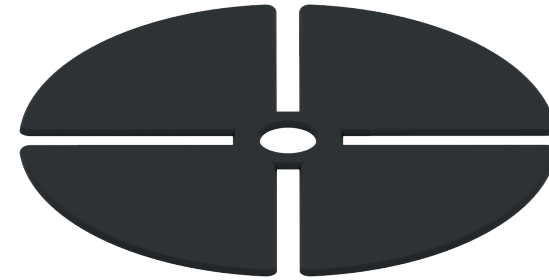
| | | |
|---|-----------------------------------|--------|
| 1 | MAX Slope Corrector SC 16 MM 0-8% | MAX SC |
|---|-----------------------------------|--------|



RUBBER SHIM

Rubber adjustment shim for equalizing tiles thickness differences and noise reduction protection.

Rubber shim can be comprehensively used when making terrace with adjustable pedestals. Whenever it needs to tiles thickness adjust or make additional soundproof rubber shim are perfect solution. No more sand grain cracking under your tiles. Additional vibration absorption and noises mute.



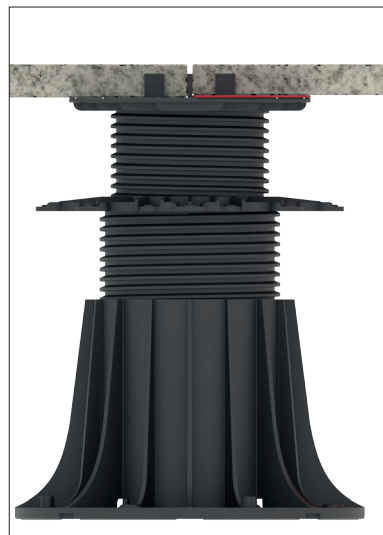
Name
SH100 1.5 MM





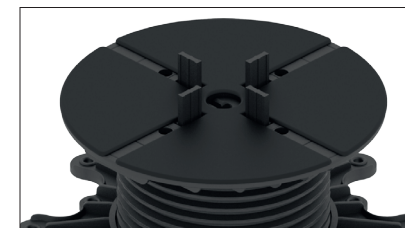
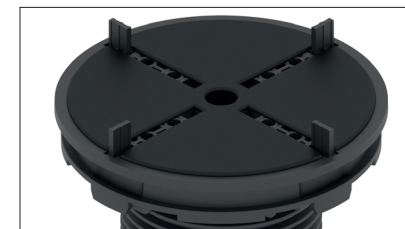
Noise reduction

Elastic rubber material for better noise reduction.



Tiles alignment

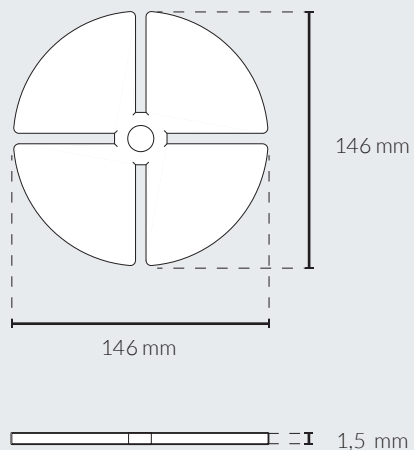
Rubber shims can be used for tiles thickness inequality.



Compatibility

Compatible with all STANDARD pedestals and self leveling head.

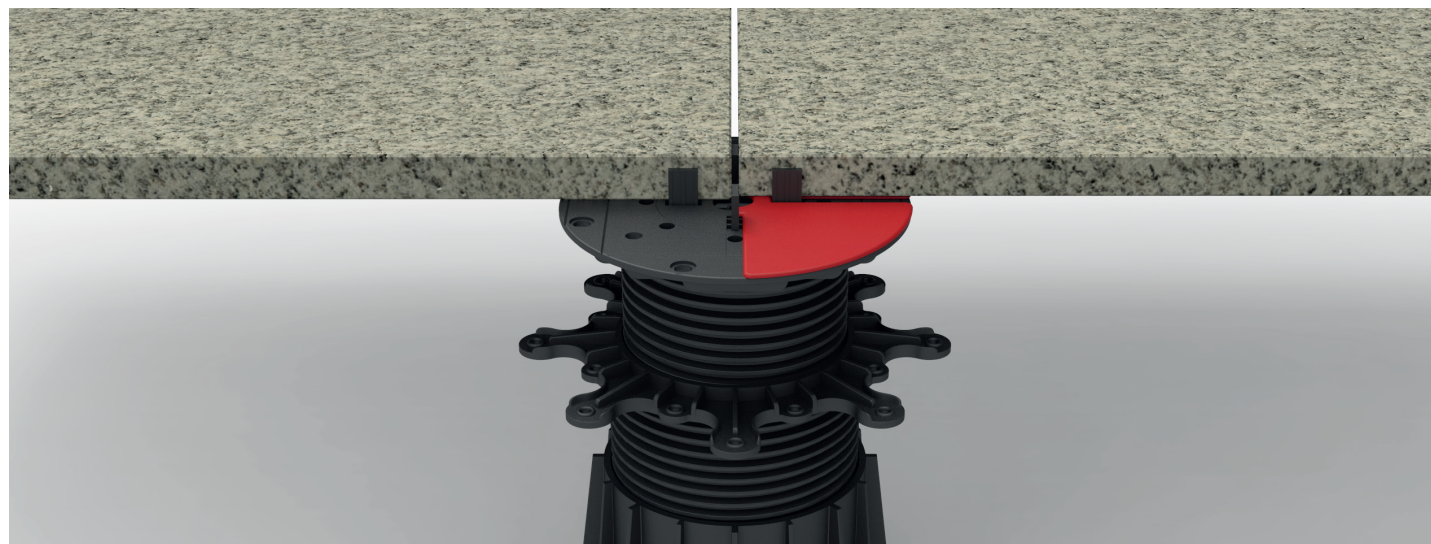
Dimension



| Lp. | Name | Symbol |
|-----|------|--------|
|-----|------|--------|



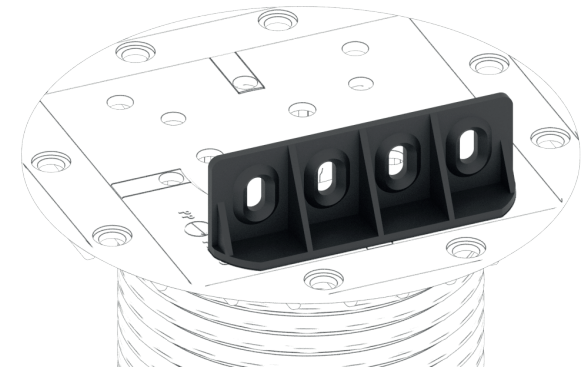
| | | |
|---|--------------------------|-------|
| 1 | Rubber shim SH145 1,5 mm | SH145 |
|---|--------------------------|-------|



JOIST ADAPTER

Decking joists easy installation

Joist adapter is mounted on the top pedestals plate. Adapter allows to easy and fast decking joist installation. Joists are firmly connected to pedestals and not moving while terrace installation.



Name
DDP AD





Plain pedestal top plate

Compatible with STANDARD pedestals top plate.



Self leveling head

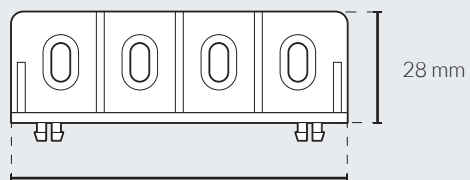
Possible to mount on self leveling head.



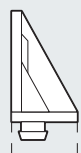
Wooden and composite joists

Joist is connected to the adapter by screw .

Dimension



86 mm



15 mm

No.

Name

Symbol



1 Joist adapter

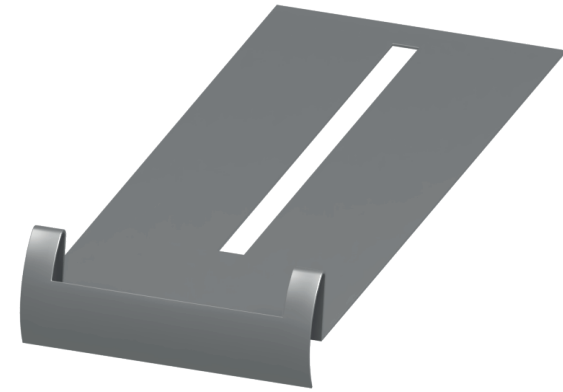
DDPAD



EDGE SPACER CLIP

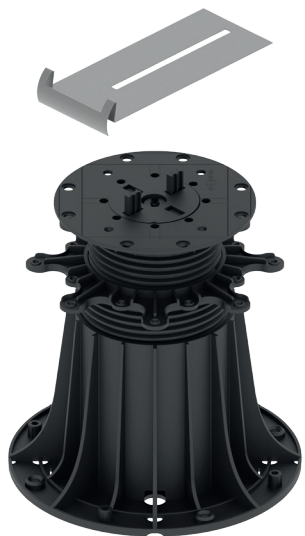
Makes gap between terrace and border wall.

Space clip to usage whenever You need to have gap between terrace surface and border wall. Distance clips allow to make safe separation between wall and terrace. Clips allows to change gap width according to expandibility of the terrace material during years. Gap width adjustable from 12-4 mm.



Name
DDP WA





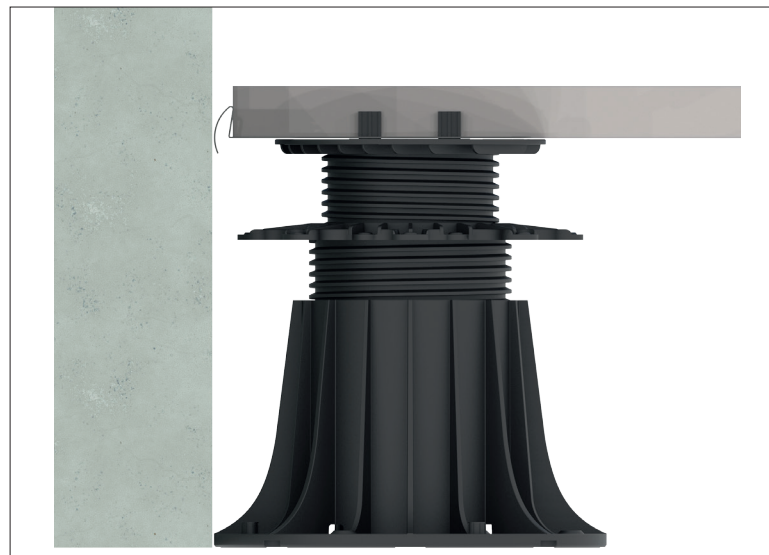
Nice and esthetic gap between terrace and wall

Stainless steel



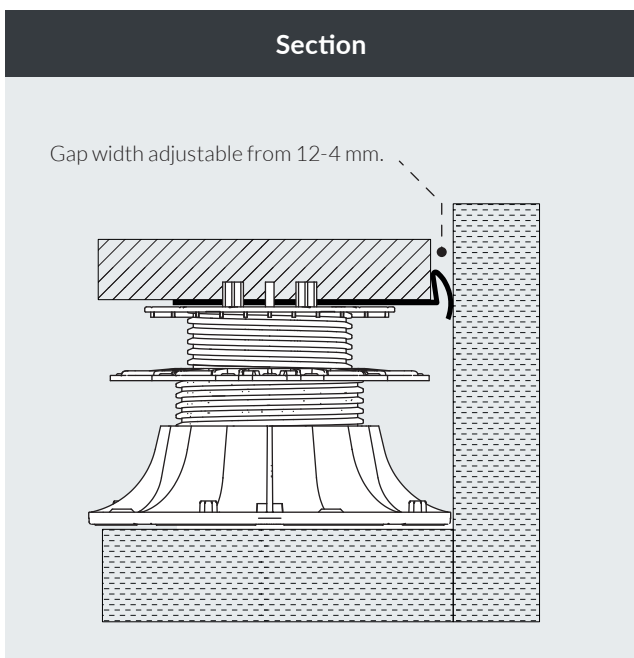
Regulation

Accurate gap between wall and terrace.



Security

Safe for isolation layer on the wall.



| No. | Name | Symbol |
|-----|------|--------|
|-----|------|--------|



1 Wall edge clip

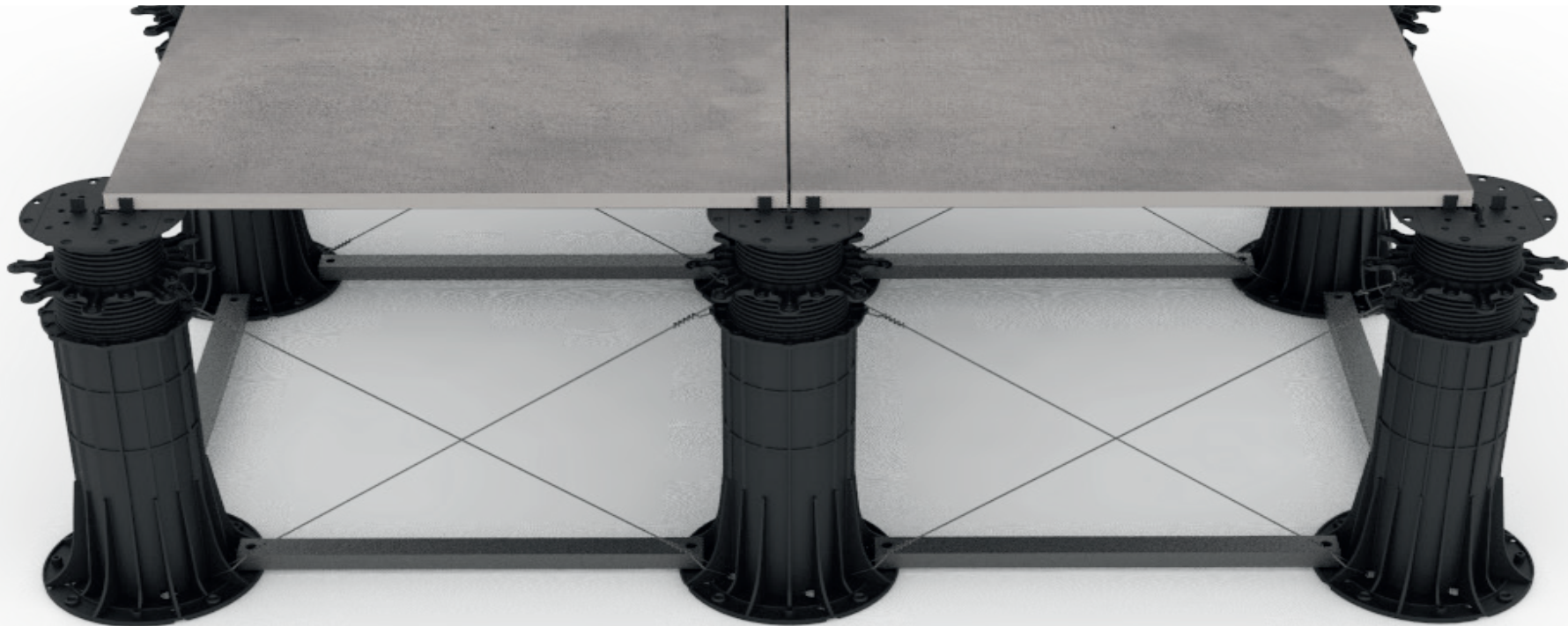
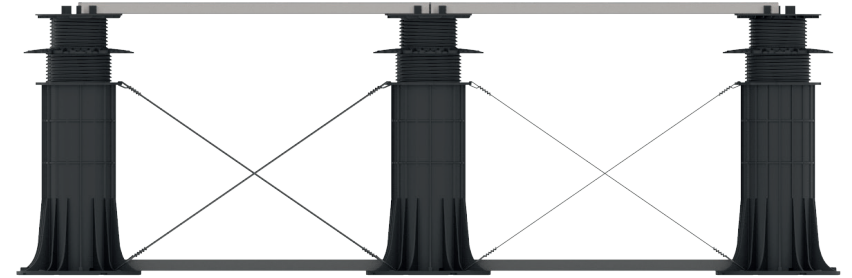
DDPWA



ADDITIONAL STABILITY BRACE CONNECTION

Additional stability for high raised floor construction.

MAX Pedestals allows to use brace and wires to give additional stability is necessary. We recommend to add bracing and wires when raised floor is higher than 550 MM or when pedestals stays on slope higher than 5%.



PEDESTAL HEIGHT ADJUSTMENT KEY

Adjustment height of pedestals when terrace is fully laid with tiles.

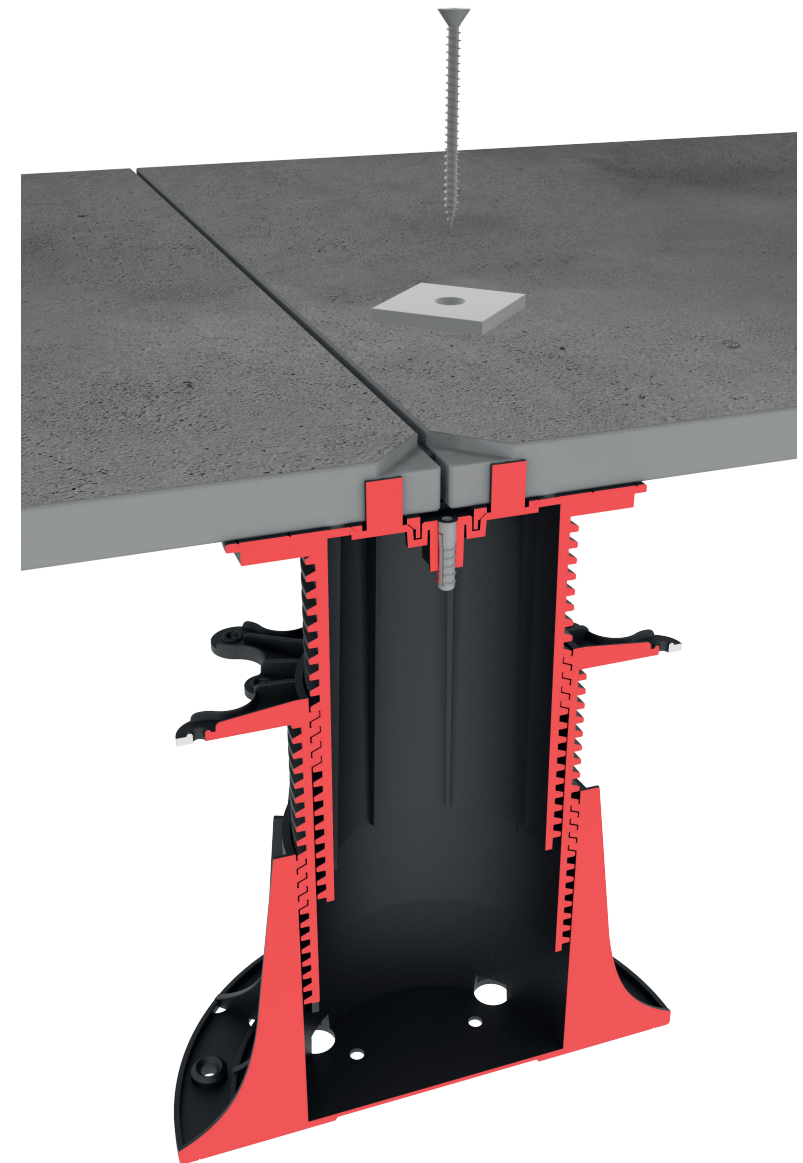
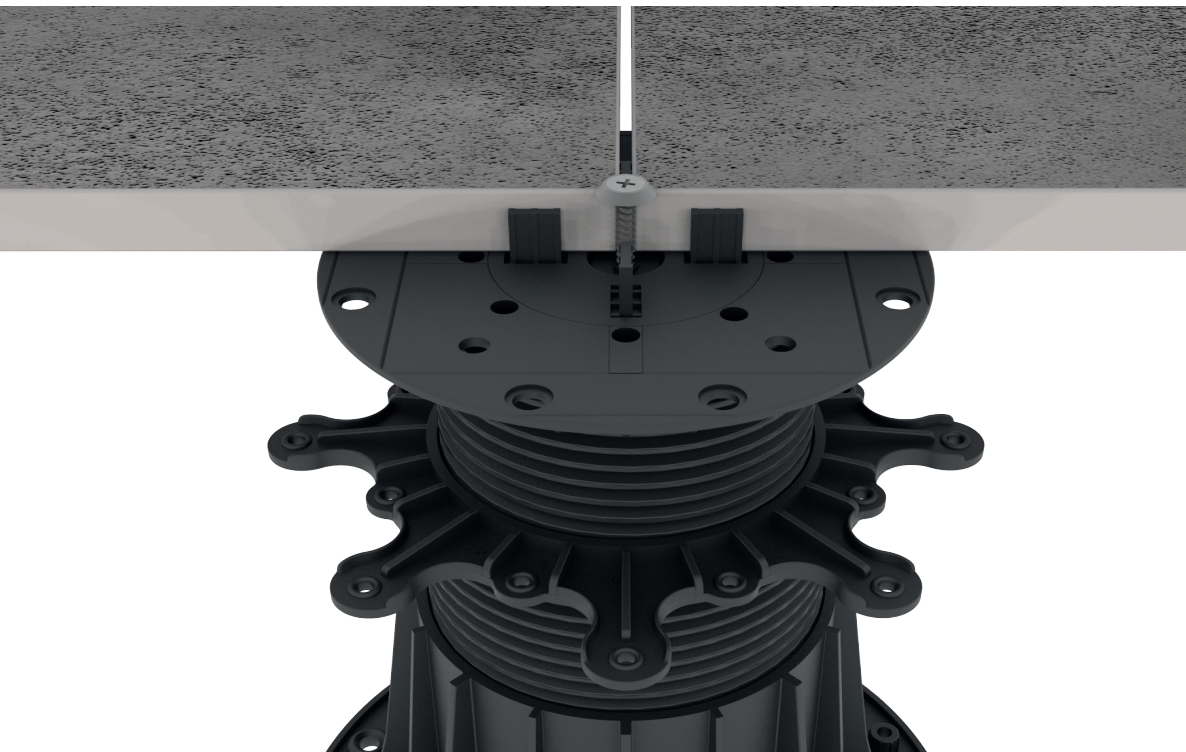
MAX Pedestals allows You to regulate height with adjustment key even after laying tiles. Whenever additional height regulation is needed You can use adjustment key to achieve perfectly flat terrace.



WINDPROOF SYSTEM

Prevent surface lift caused by heavy wind.








Nowadays when climate changes everywhere and rapid weather changes can brought heavy winds In this case raised floors needs additional prevent solution. MAX windproof system creates solid bond between basis, pedestal and top surface. Firmly connected all elements from top to down. All system can be used with wide variety of tiles and anchros to meet all project solutions and maintain esthetic look of finish surface. Whole solution is easy and practical.



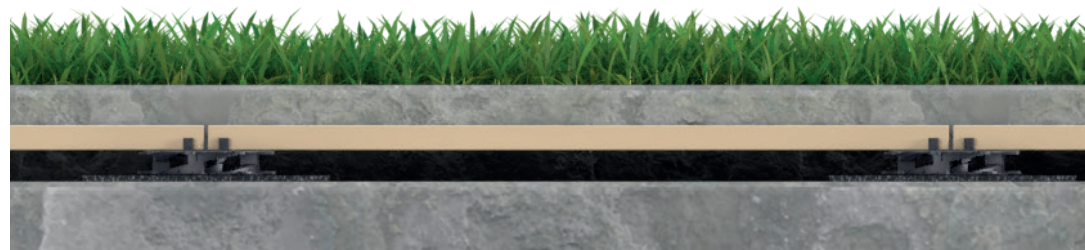
System Wind Proof - section

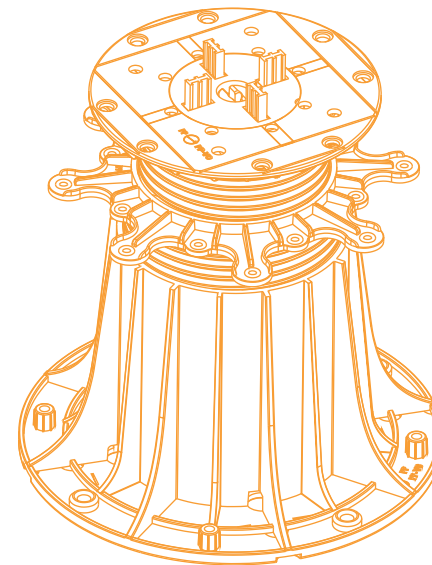
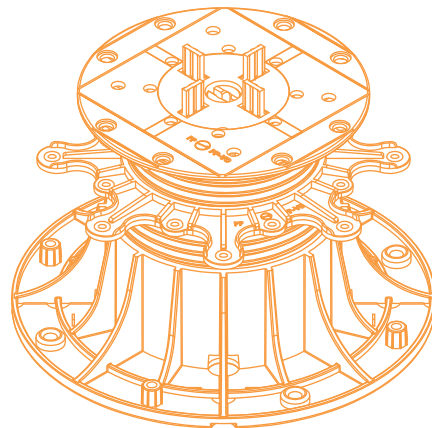
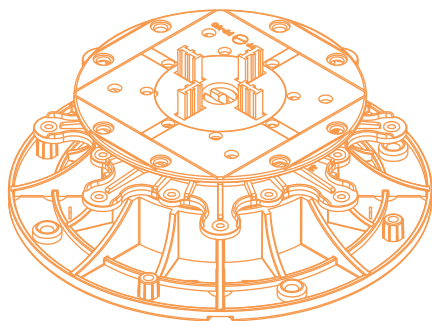
PRODUCTS TABLE

List of MAX Pedestals and accessories

| No. | Name | Symbol |
|---|---|-------------|
| 1 | Adjustable pedestals MAX | |
|  1.1 | Adjustable height pedestal MAX 45-70 MM | MAX 045-070 |
|  1.2 | Adjustable height pedestal MAX 70-150 MM | MAX 070-150 |
|  1.3 | Adjustable height pedestal MAX 150-350 MM | MAX 150-350 |
|  1.4 | MAX Self levelling Head 19 MM 0-6% | MAX LE |
|  1.5 | MAX Slope Corrector 16 MM 0-8% | MAX SC |
|  1.6 | Height coupler MAX DS 200 mm | MAX DS 200 |
|  1.7 | Height adjustment KEY | KEY |

| No. | Name | Symbol |
|---|----------------------------------|------------|
| 1 | Adjustable pedestals MAX | |
|  1.8 | Spacer disc 3 mm | D3 |
|  1.9 | Spacer disc 5 mm | D5 |
|  1.10 | Joist L adapter | AD |
|  1.11 | Edge spacer clip | DDPWA |
|  1.12 | SBR Rubber Pad 200 x 200 x 5 mm | SBR 200-5 |
|  1.13 | SBR Rubber Pad 200 x 200 x 10 mm | SBR 200-10 |





DECK-DRY Polska Sp. z o. o.
POLAND EU
80-299 Gdańsk, ul. Wenus 73A
tel. (+48) 58 511 04 31
tel. (+48) 504 261 264
www.ddpedestals.eu
www.pedestals-ddp.com